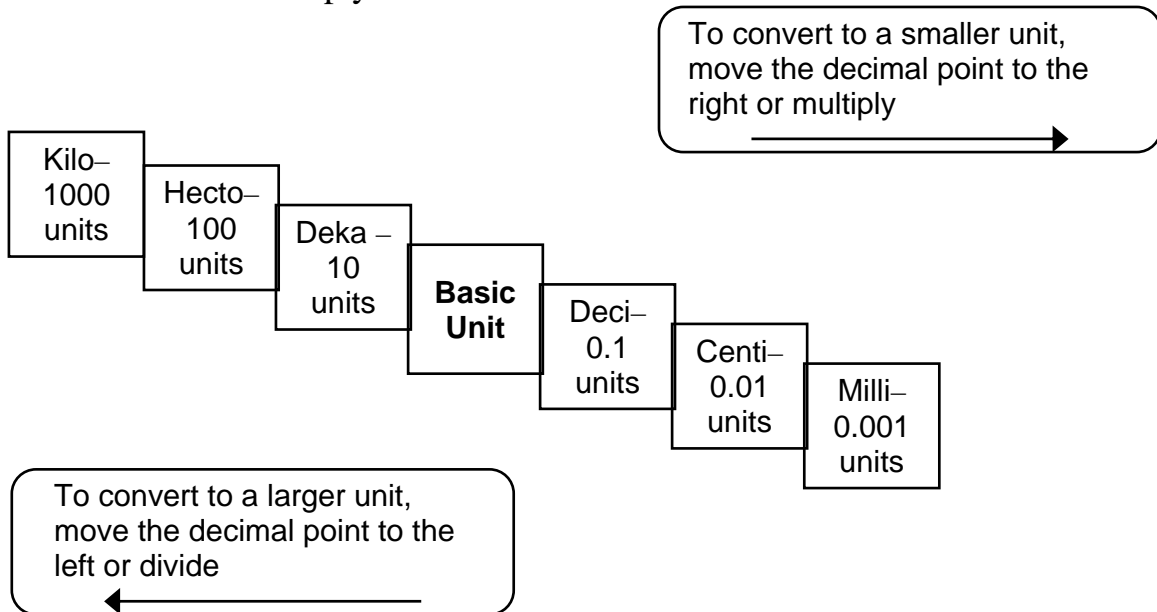


# Metric Conversions

Use this ladder to help you convert units:



Practice with these conversions:

- 1) 3000 mg = \_\_\_\_\_g
- 2) 105 km = \_\_\_\_\_m
- 3) 500 cm = \_\_\_\_\_m
- 4) 15.6 kg = \_\_\_\_\_g
- 5) 10 mm = \_\_\_\_\_cm
- 6) 7 L = \_\_\_\_\_ml
- 7) 198 g = \_\_\_\_\_kg
- 8) 65 ml = \_\_\_\_\_L
- 9) 60 cm = \_\_\_\_\_m
- 10) 7.6 m = \_\_\_\_\_cm
- 11) 19 cm = \_\_\_\_\_mm
- 12) 1500 m = \_\_\_\_\_km
- 13) 25 g = \_\_\_\_\_mg
- 14) 8.3 cm = \_\_\_\_\_mm
- 15) 130 mg = \_\_\_\_\_g

Here's an easy way to remember the metric units:

**King Henry Died Monday Drinking Chocolate Milk**

## Answer Sheet

- 1) 3 g
- 2) 105,000 m
- 3) 5 m
- 4) 15,600 g
- 5) 1 cm
- 6) 7,000 L
- 7) 0.198 kg
- 8) 0.065 L
- 9) 0.6 m
- 10) 760 cm
- 11) 190 mm
- 12) 1.5 km
- 13) 25,000 mg
- 14) 83 mm
- 15) 0.13 g